



VCMA-15 SERIES

APPLICATIONS

- Designed for automatic collection and removal of condensate from air conditioning, refrigeration and dehumidification equipment when gravity drainage is not possible or practical. Also, suitable for high efficiency oil and gas-fired condensing furnace and condensing boiler equipment.

FEATURES

- 1/2-gallon collection tank
- Vertical centrifugal pump design
- Stainless steel motor shaft
- Automatic start and stop operation
- Some models equipped with float (solid polymer) activated switch for automatic high-level water detection (overflow detection switch)
- For models with overflow detection switch: dual function NO and NC operation (set to NO from factory for equipment shut down connection)
- Models equipped with overflow detection switch include two 5" switch lead wires
- 3/8" O.D. barbed discharge adapter with built-in check valve
- Three 1-1/8" diameter inlet openings (two fitted with removable cap plug)
- Thermally protected, fan cooled motor
- Built-in wall mount tabs on tank
- Removable pump float locking tab for safety during transportation (remove at time of installation)
- Maximum water temperature: 140 °F
- 6 ft, 3-conductor cable with grounded 3-prong plug
- Some models include 20' x 3/8" I.D. vinyl discharge tubing



SERIES SPECIFICATIONS

Item No.	Model	HP	Volts	Hz	Amps	Watts	Discharge Size	Gallons per hour (Liters per hour) @ Height				Shut-Off	PSI	Cord	Weight lbs (kg)
								1'	5'	10'	20'				
554401	VCMA-15UL	1/50	115	60	1	60	3/8" (9.5 mm) OD Barbed	65 (246.4)	50 (189.5)	25 (94.8)	0 (0)	15' (4.6 m)	6.5	6' (1.8 m)	4.4 (2 kg)
554411	VCMA-15ULT	1/50	115	60	1	60	3/8" (9.5 mm) OD Barbed	65 (246.4)	50 (189.5)	25 (94.8)	0 (0)	15' (4.6 m)	6.5	6' (1.8 m)	5.8 (2.6 kg)
554405	VCMA-15ULS	1/50	115	60	1	60	3/8" (9.5 mm) OD Barbed	65 (246.4)	50 (189.5)	25 (94.8)	0 (0)	15' (4.6 m)	6.5	6' (1.8 m)	4.4 (2 kg)
554415	VCMA-15ULST	1/50	115	60	1	60	3/8" (9.5 mm) OD Barbed	65 (246.4)	50 (189.5)	25 (94.8)	0 (0)	15' (4.6 m)	6.5	6' (1.8 m)	5.8 (2.6 kg)

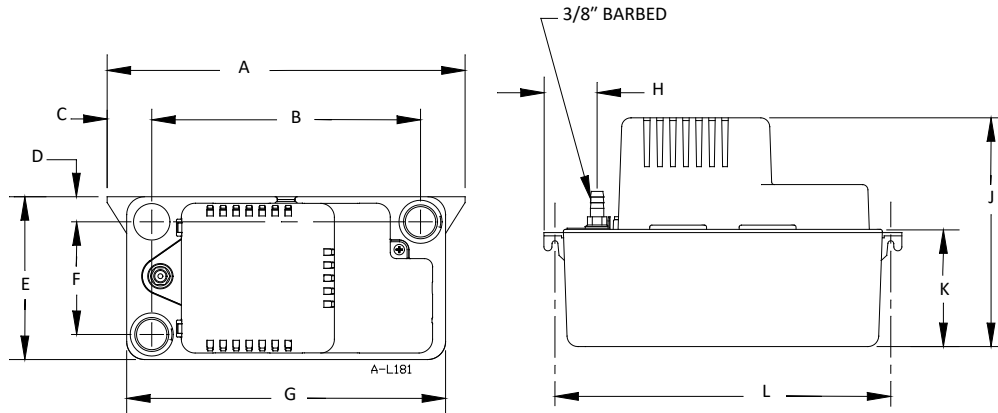
Note: GPH is through check valve.

VCMA-15 SERIES

REPLACEMENT PARTS & KITS

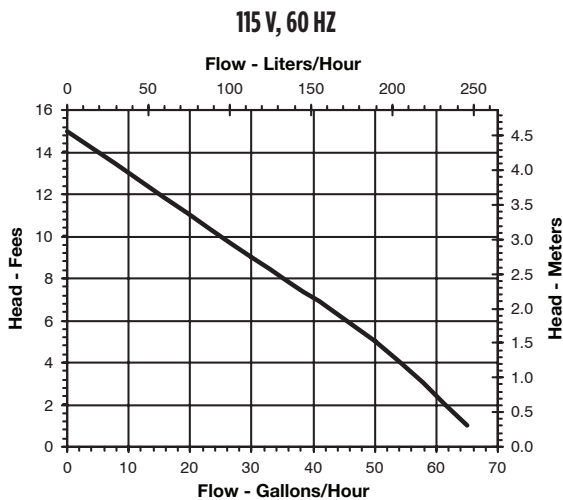
Item	Part Number
Tank	154401
Cover, Motor	154421
Float Arm	154452
Switch Holder	154471
Switch	950337
Check Valve	154715

ENGINEERING DATA



A	B	C	D	E	F	G	H	J	K	L
11" (279.4 mm)	8.3" (210.82 mm)	1.4" (35.56 mm)	0.8" (20.32 mm)	5" (127 mm)	3.5" (88.9 mm)	9.8" (248.92 mm)	1.6" (400.64 mm)	7" (177.8 mm)	3.6" (91.4 mm)	10.3" (261.6 mm)

PERFORMANCE DATA



CONSTRUCTION

Motor	1/50 hp
Discharge	3/8" OD barbed
Housing/Tank Cover	ABS
Motor Cover	ABS
Volute	ABS
Tank	ABS
Impeller	Glass filled polypropylene
Check Valve	Acetal